

SPA-C100W

IP Ceiling Speaker

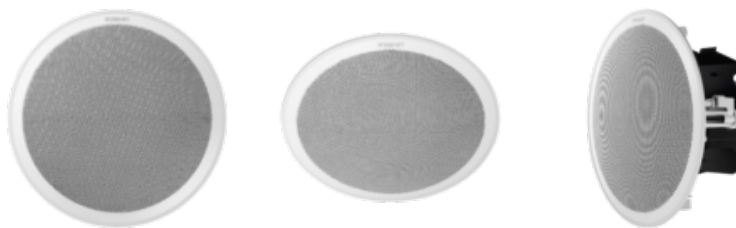


Key Features

- Output Level: +6dBV \pm 3dB
- Frequency Response: 20Hz ~ 20kHz
- Amplifier: Built in 10W Class D
- Power: PoE (IEEE 802.3 af type 1 Class 3), PoE+ (IEEE 802.3 at type 2 Class 4)
- Internal Memory: 1 GBytes
- Max. Sound Pressure Level: 99dB
- Frequency Range (-10dB): 120Hz~20kHz
- Sensitivity (1Watt): 90dB
- Supported Protocol: IPv4, HTTP, SIP, mDNS, DNS, NTP, TCP, UDP, DHCP, ARP, ICMP
- TTS: English(US, UK), German, French, Spanish, Russian
- Audio Monitoring: Speaker, Connection test

SPA-C100W

IP Ceiling Speaker



Specifications

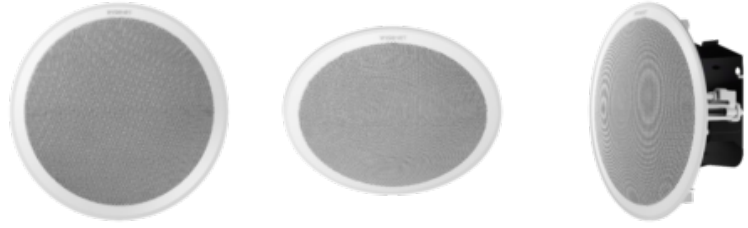
Product	
Type	IP Ceiling Speaker
Line Output	
Output Level	+6dBV ± 3dB
Frequency Response	20Hz ~ 20kHz
THD + N Ratio (AES17 LPF)	Less than 0.1%
S/N Ratio (20kHz LPF, A-WTD)	Greater than 91dB
Amplifier	
Description	Built in 10W Class D
Network	
Ethernet	10/100 Base-T
Memory	
Internal Memory	1 GBytes
External Memory (Micro SD)	SDHC upto 32GB (SANDISK)
Contact	
Contact Input. Dry contact	One channel
Contact Output. Dry contact (NO)	One channel
General	
Operating Temperature	-20 ~ +50°C (-4°F ~ +122°F)
Operating Humidity	10~85% RH (Non-Condensing)
Weight	1.8Kg
Size	Φ269*142.5(H)mm
Color	Black/White
Certificate	EMC : KS C 9832/9835, EN 55032/55035 Safety : KC 62368-1
Power	
PoE	PoE (IEEE 802.3 af type 1 Class 3)
PoE+	PoE+(IEEE 802.3 at type 2 Class 4)
Embedded MIC	

SPA-C100W

Input Sensitivity	Sound Level Meter
Frequency Response	Sound Level Meter
Audio	
Supported Audio Format	WAV, MP3 in mono/stereo from 64 kbps to 320 kbps. Sampling rate from 16 kHz up to 48 kHz
Speaker	
Speaker Component	2Way 8" LF Driver & 2" HF Driver. Passive type
Max. Sound Pressure Level (PoE)	96dB
Max. Sound Pressure Level (PoE+)	100dB
Frequency Range (-10dB)	120Hz~20kHz
Sensitivity (1Watt)	90dB
Coverage Pattern	(HxV) : 90°(1kHz) / 60°(4kHz)
Network Protocol	
Security	Password protection : admin,setup,user,guest (sha-2, Digest authentication, User access log) Digest authentication, User access log
Supported Protocols	IPv4, HTTP, SIP, mDNS, DNS, NTP, TCP, UDP, DHCP, ARP, ICMP
System Integration	
API (Application Programming Interface)	SUNAPI
Multi-source Dynamic PA control	Multi-source up to 48 (Multicast) (Audio 24CH + Mic 24CH) Up to 256 Zone Control (Multicast) Up to 20 Zone Control (Unicast) Up to 255 Groups
VoIP	Tested with SIP clients such as Grandstream, Yealink, Cisco, MicroSIP softphone and PBX supplier such as Asterisk Tested with SIP client such as Grandstream and PBX supplier such as Grandstream Supported SIP features: DTMF (RFC2833) Supported codecs: PCMU, PCMA, speex/8000, speex/16000
TTS	English(US, UK), German, French, Spanish, Russian
Audio Monitoring	Speaker test by graphic level meter (Built in test tool)
Event & Preset	Virtual Contact, Dry contact
Functional Monitoring	Connection verification, Built-in system logging

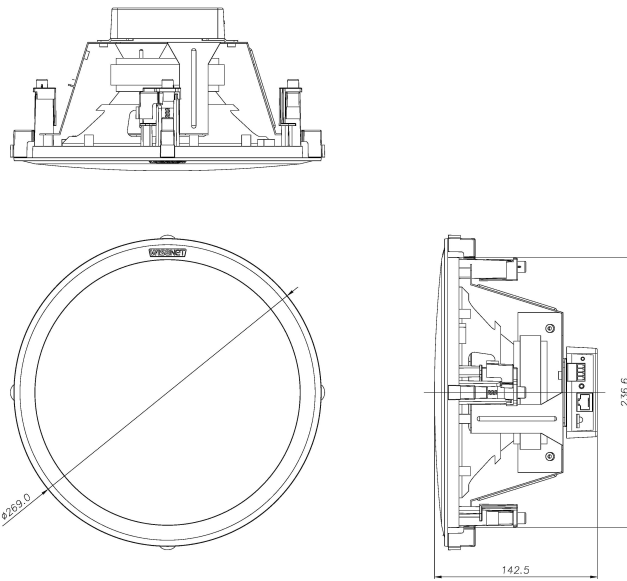
SPA-C100W

IP Ceiling Speaker



CAD

Unit:mm [inch]



3	MODEL2	
2	MODEL1	
1	SPA-C100BW	'22.7.15
No.	MODEL NAME	DATE
Unit:mm[inch] SCALE:1/1		 Hanwha Techwin

© Hanwha Techwin Co.,Ltd. All rights reserved.