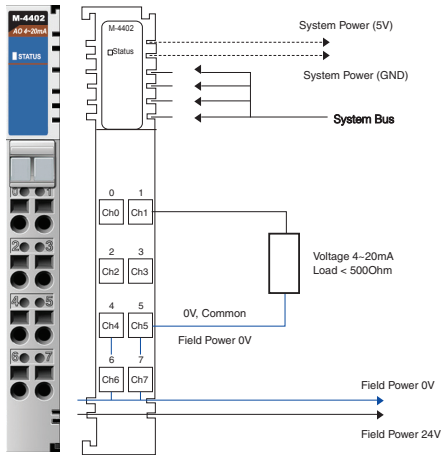




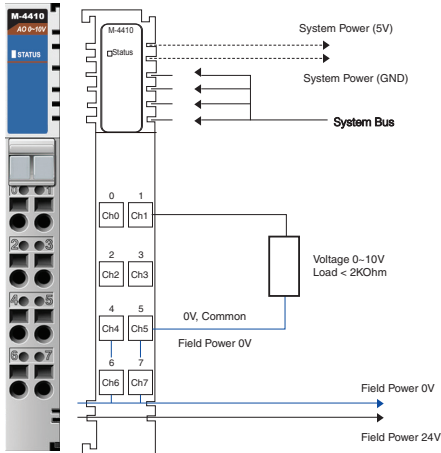
# Analog Output Modules

## 4-channel analog output modules, 12-bit resolution



### M-4402: 4 analog outputs, 4 to 20 mA, 12 bits

- Resolution in Ranges:** 12 bits, 3.91  $\mu$ A/bit
- Output Current Range:** 4 to 20 mA
- Data Format:** 16-bit integer (2's complement)
- Accuracy:**
  - $\pm 0.1\%$ , FSR @ 25°C
  - $\pm 0.3\%$ , FSR @ 0°C, 60°C
- Output Impedance:** Max. 500 ohms
- Conversion Time:** 2 ms for all channels
- Power Consumption:** 60 mA @ 5 VDC
- Isolation:** I/O to logic (photocoupler isolation)
- Wiring:** I/O cable max. AWG14



### M-4410: 4 analog outputs, 0 to 10 V, 12 bits

- Resolution in Ranges:** 12 bits, 2.44 mV/bit
- Output Current Range:** 0 to 10 VDC
- Data Format:** 16-bit integer (2's complement)
- Accuracy:**
  - $\pm 0.1\%$ , FSR @ 25°C
  - $\pm 0.3\%$ , FSR @ 0°C, 60°C
- Output Impedance:** Max. 5K ohms
- Conversion Time:** 2 ms for all channels
- Power Consumption:** 60 mA @ 5 VDC
- Isolation:** I/O to logic (photocoupler isolation)
- Wiring:** I/O cable max. AWG14



## : Ordering Information

Analog Output Modules			
Specs	Model	M-4402	M-4410
	Channels	4	4
	Current	4 to 20 mA	–
	Voltage	–	0 to 10 V
	Connector	RTB	RTB
	Resolution	12-bit	12-bit
	Isolation	Optical Isolation	