

CM-600 Series

4-port fast Ethernet interface modules for EDS-600 series Ethernet switches

Specifications

Fast Ethernet Interface Modules, CM-600 Series



CM-600-4TX
CM-600-4TX-BP
CM-600-4TX-PTP



CM-600-4MSC
CM-600-4SSC



CM-600-4MST



CM-600-3MSC/1TX
CM-600-3SSC/1TX



CM-600-3MST/1TX



CM-600-2MSC/2TX
CM-600-2SSC/2TX



CM-600-2MST/2TX

Interface

Fiber Ports: 100BaseFX ports (SC/ST connector)

RJ45 Ports: 10/100BaseT(X) auto negotiation speed, Full/Half duplex mode, and auto MDI/MDI-X connection

LED Indicators: 10/100 for TP port, 100M for fiber port

Optical Fiber

	100BaseFX	
	Multi-mode	Single-mode
Wavelength	1300 nm	1310 nm
Max. TX	-10 dBm	0 dBm
Min. TX	-20 dBm	-5 dBm
RX Sensitivity	-32 dBm	-34 dBm
Link Budget	12 dB	29 dB
Typical Distance	5 km ^a 4 km ^b	40 km ^c
Saturation	-6 dBm	-3 dBm

- a. 50/125 μm, 800 MHz*km fiber optic cable
- b. 62.5/125 μm, 500 MHz*km fiber optic cable
- c. 9/125 μm single-mode fiber optic cable

Power Requirements

Power Consumption:

- CM-600-4TX: 0.72 W
- CM-600-4TX-BP: 2.81 W
- CM-600-4TX-PTP: 4.08 W
- CM-600-4MSC, -4MST, -4SSC: 2.64 W
- CM-600-3MSC/1TX, -3MST/1TX, -3SSC/1TX: 2.16 W
- CM-600-2MSC/2TX, -2MST/2TX, -2SSC/2TX: 1.68 W

Physical Characteristics

Housing: IP30 protection

Dimensions: 29.7 x 144.4 x 144.8 mm (1.17 x 5.69 x 5.7 in)

Weight:

- CM-600-4TX: 190 g
- CM-600-4TX-BP: 240 g
- CM-600-4TX-PTP: 185 g
- CM-600-4MSC, -4MST, -4SSC: 240 g
- CM-600-3MSC/1TX, -3MST/1TX, -3SSC/1TX: 230 g
- CM-600-2MSC/2TX, -2MST/2TX, -2SSC/2TX: 230 g

MTBF (mean time between failures)

Time: 740,000 hrs

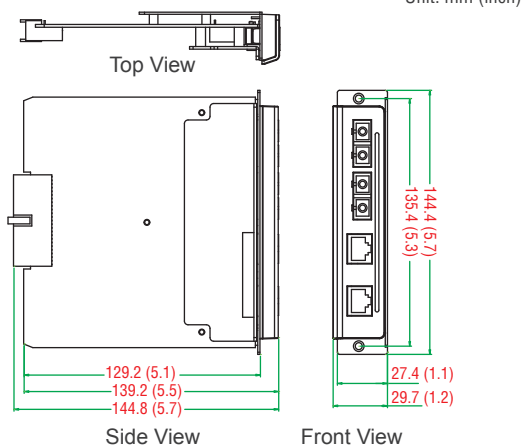
Database: Telcordia (Bellcore), GB

Warranty

Warranty Period: 5 years

Details: See www.moxa.com/warranty

Dimensions



Ordering Information

Available Models (-40 to 75°C)	Port Interface			
	10/100BaseT(X)	100BaseFX		
		Multi-mode, SC Connector	Multi-mode, ST Connector	Single-mode, SC Connector
CM-600-4TX	4	—	—	—
CM-600-4TX-BP*	4	—	—	—
CM-600-4TX-PTP*	4	—	—	—
CM-600-4MSC	—	4	—	—
CM-600-4MST	—	—	4	—
CM-600-4SSC	—	—	—	4
CM-600-3MSC/1TX	1	3	—	—
CM-600-3MST/1TX	1	—	3	—
CM-600-3SSC/1TX	1	—	—	3
CM-600-2MSC/2TX	2	2	—	—
CM-600-2MST/2TX	2	—	2	—
CM-600-2SSC/2TX	2	—	—	2

Package Checklist

- CM-600 interface module
- Warranty card

*The CM-600-4TX-BP supports the bypass relay function on each port; the CM-600-4TX-PTP supports the IEEE 1588 PTP V2 protocol on each port.