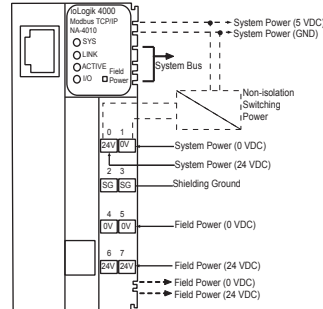


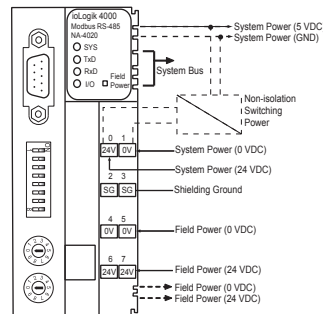
NA-4010 and NA-4020/4021 Series

Ethernet and serial network adaptors

NA-4010 (Ethernet)



NA-4020 (RS-232)
NA-4021 (RS-485)



NA-4010 Specifications

LAN

Ethernet: 1 x 10/100 Mbps, RJ45

Software Features

Protocols: Modbus/TCP, HTTP, Bootp

IP Settings: ARP, Bootp, static IP

Programming Library: MXIO DLL library for Windows supporting

Visual Basic, Visual C++, Borland C++ Builder, .NET

Number of I/O Modules Supported: Max. of 32

Power Requirements

Power Input: 11 to 28.8 VDC, 24 VDC typical

Power Consumption: 60 mA @ 24 VDC

Current for I/O Modules: Max. 1.5 A @ 5 VDC

NA-4020/4021 Specifications

Serial Communication Parameters

Parity: None, Even, Odd

Data Bits: 7, 8

Stop Bits: 1, 2

Baudrate: 1200 to 115200 bps

Signals:

• NA-4020: Data+, Data-, Gnd, DIR

• NA-4021: TxD, RxD, Gnd

Software Features

Protocols: Modbus/RTU, Modbus/ASCII

Modbus Address: 00 to 99 (set by rotary switches)

Programming Library: MXIO DLL library for Windows; Supports

Visual Basic, Visual C++, Borland C++ Builder, .net, VB/VC.NET

Number of I/O Modules Supported: Max. of 32

Power Requirements

Power Input: 11 to 28.8 VDC, 24 VDC typical

Power Consumption: 70 mA @ 24 VDC

Current for I/O Modules: Max. 1.5 A @ 5 VDC

: NA-4010 and NA-4020/4021 Common Specifications

Field Power

Rated Voltage: 11 to 28.8 VDC, 24 VDC typical

Current in Field Power Contact: Max. 10 A

Isolation

System Power to I/O Driver: Optical isolation

Physical Characteristics

Dimensions: 45 x 99 x 70 mm (1.77 x 3.90 x 2.76 in)

Weight: 150 g

Environmental Limits

Operating Temperature: -10 to 60°C (14 to 140°F)

Storage Temperature: -40 to 85°C (-40 to 185°F)

Ambient Relative Humidity: 5 to 95% (non-condensing)

Standards and Certifications

Safety: UL 508

EMS: IEC 61000-6-2, IEC 61000-6-4

Vibration: IEC-68-2-6 (2 g's during operation)

Warranty

Warranty Period: 2 years

Details: See www.moxa.com/warranty

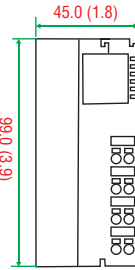
Dimensions

Unit: mm (inch)

I/O Network Adaptor

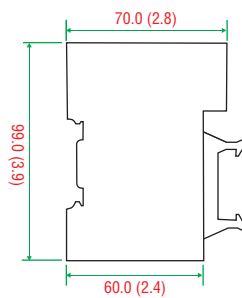


Side View

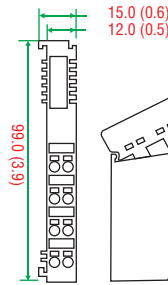


Front View

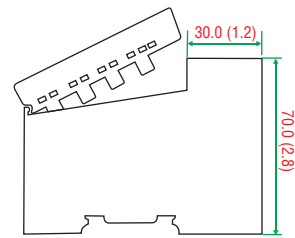
I/O Module



Side View



Front View



Removable View

: Ordering Information

Step 1: Select a network adaptor module

NA-4000 series



Step 2: Select I/O modules

M-1000/2000/3000/4000/6000 series



Step 3: Select power modules (optional)

M-7000 series

Available Models

NA-4010: Ethernet modular remote I/O network adaptor (Modbus/TCP)

NA-4020: RS-485 modular remote I/O network adaptor (Modbus/RTU, Modbus/ASCII)

NA-4021: RS-232 modular remote I/O network adaptor (Modbus/RTU, Modbus/ASCII)

Note: The NA-4010 NA-4020/4021 network adaptors can be expanded by adding up to 32 I/O modules.

Package Checklist

- NA-4010 or NA-4020 or NA-4021
- I/O modules ordered
- Power modules ordered
- Documentation and software CD