

SBP-156HMW

Hanging Mount



Key Features

- Compatible with XNP-9300RW/8300RW/6400RW
- Material : Aluminum
- Color : White
- Dimensions : $\phi 95.5 \times 77.0$ mm ($\phi 3.76 \times 3.03$ ")

Accessories (Optional)



XNP-8300RW



XNP-6400RW

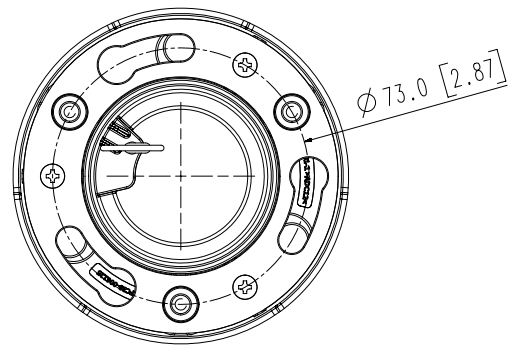
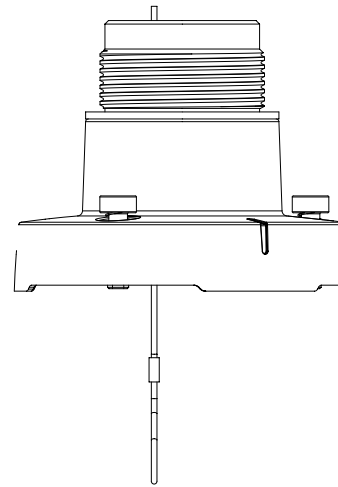
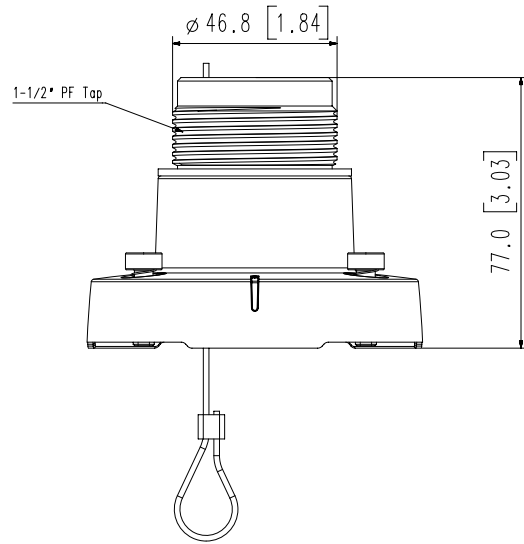
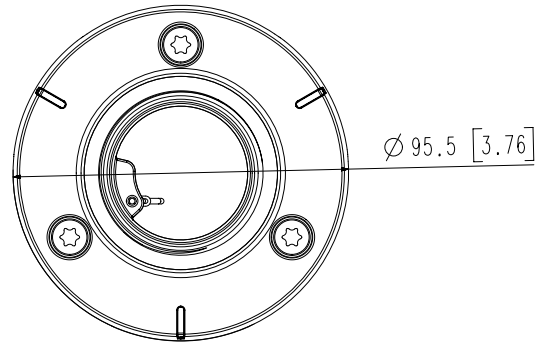


XNP-9300RW

Mechanical

Color	White
Material	Aluminum
RAL code	RAL9003
Product dimensions / weight	φ95.5x77.0 mm (φ3.76x3.03") / 194g (0.43 lb)
Supported products	XNP-9300RW/XNP-8300RW/XNP-6400RW ※ For further compatible models, please visit our website or use Toolbox

- The latest product information / specification can be found at hanwha-security.com
- Design and specifications are subject to change without notice.
- Wisenet is the proprietary brand of Hanwha Techwin, formerly known as Samsung Techwin.



1	SBP-156HMW	20.06.18
No.	MODEL NAME	DATE
Unit:mm[inch] SCALE:1/1		Hanwha Techwin

A2

© Hanwha Techwin Co.,Ltd. All rights reserved.