

# 10.4"

## Marine Bridge System Display

Model # R10L210-MRM2

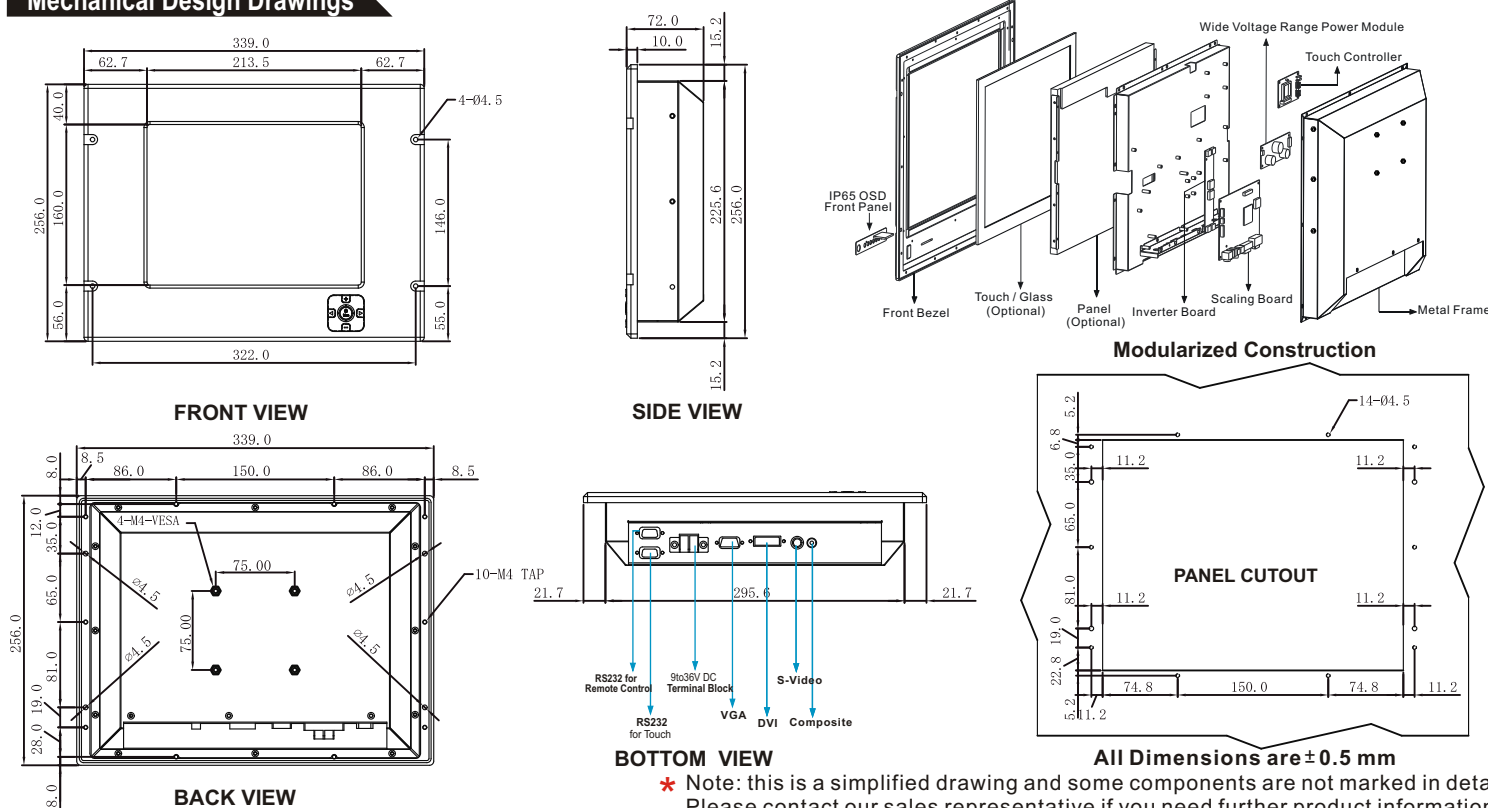
### Features:



- **Hyper Dimming** : Dimming knob control backlight brightness from nearly 0% to 100%
- **Sunlight Readable** : Transflective film technology enhance visibility
- **Anti-Corrosion & IP Proof** : IP66 aluminum housing with powder coating design (IP54 rear)
- **Wide Voltage Range Input** : 24V DC to DC power input acceptable (Isolation Resistance)
- **Touchscreen/ Protection Glass** : High quality touchscreen / AR protection glass for option
- **Multiscan Function** : PIP (picture in picture) function and multi-video inputs
- **IP65 OSD Front Panel Design** : Ease of use front panel OSD control
- **Anti-Shock and Vibration** : Enhanced shock and vibration resistance



### Mechanical Design Drawings



### TFT Characteristics:

Pixel Number	: 800 x 600
Pixel Pitch (RGB)	: 0.264(H) x 0.264(V)
Contrast Ratio	: 500 : 1 (typ.)
Light Intensity	: 400 cd/m <sup>2</sup> (typ.)
Viewable Angles	: -70~70(H); -60~50(V)
Active Display Area	: 211.2(H) x 158.4(V) mm
Max Colors	: 16.7M (8bit/colors)

### Input Signals:

RGB Signal	: D-SUB 15P connector (female)
Composite Video	: RCA phono plug
S-Video Signal	: S-Video (SVHS) plug
DVI-D Signal	: DVI-D input 24pin connector
DC Power Signal	: Screw terminal block
AC Power Signal (optional)	: Std IEC Inlet
Touch Screen (Optional)	: D-SUB 9P connector (female)
Remote via RS-232 (Optional)	: D-SUB 9P connector (female)

Certification and Approvals : IEC 60945 DNV 2.4, IACS-E10  
DNV Type Approval, CE, FCC



### User Controls:

- Power On/Off via Front Button
- Power Mode Status LED
- On Screen Display control (OSD)
- OSD Remote Control via RS-232

### Power Specifications:

Power Supply	: 24V DC power supply with Terminal block (Default, Isolation Resistance)
Power Consumption	: 21 W typical, normal operation

### Mechanical and Environmental:

- Mechanical Mounting : Panel (Flush) mount with Ip66\*, VESA, Bracket mounting
- Operating Temperature : -15 to 55 deg.C (-20 to 60 deg.C for optional heating)
- Operating Humidity : 5% to 95% (non condensing)
- Anti-Vibration : 5Hz~500Hz / 1 Grms/3 Axis
- Anti-Shock : 15G, 11ms duration
- \* SAW touch for IP54

### Available Options:

- Touch Screen Options : SAW, 5 Wire Resistive
- AR Safety Glass Options : 3mm Anti-reflective protection glass
- Transflective Options : Yes (Enhance Visibility)
- Bracket Mounting Options : Yes (One robust bracket can adjust from -10 to 30 deg.)

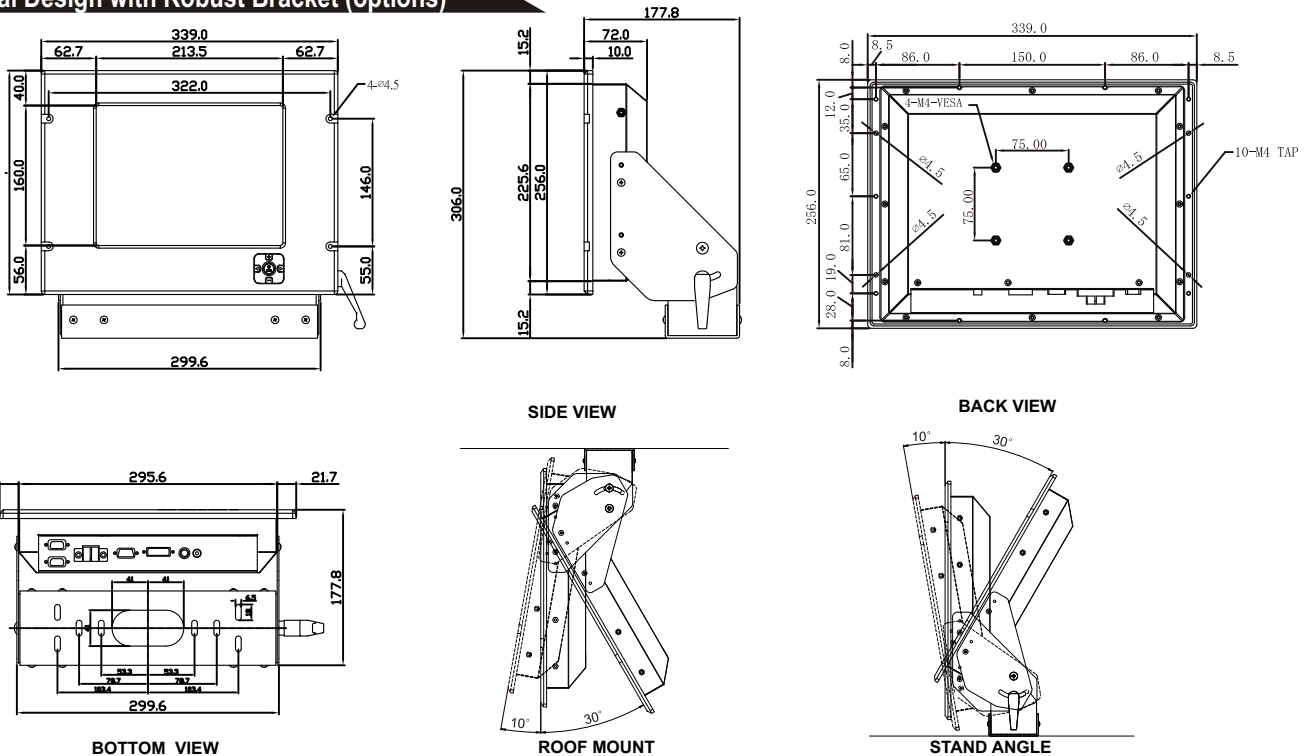


# 10.4"

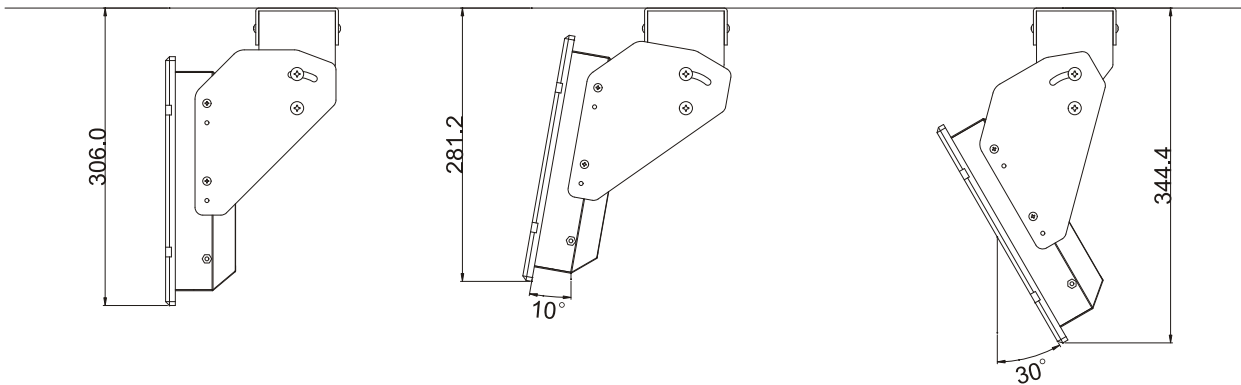
## Marine Bridge System Display

Model # R10L210-MRM2

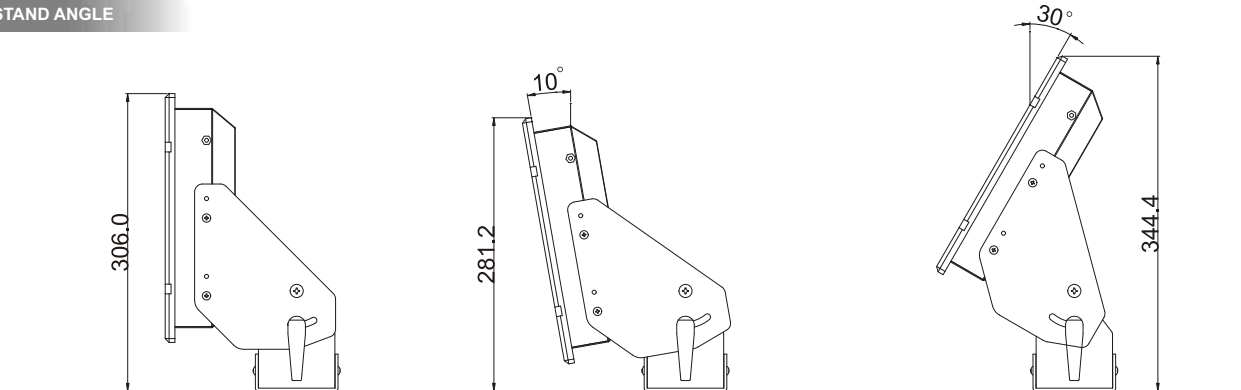
### Mechanical Design with Robust Bracket (options)



### ROOF MOUNT



### STAND ANGLE



All Dimensions are ± 0.5 mm

\* Note: this is a simplified drawing and some components are not marked in detail. Please contact our sales representative if you need further product information.

Certification and Approvals : IEC 60945, DNV 2.4, IACS-E10  
DNV Type Approval, CE, FCC



Rev.	Reasons	Revised Date
1.2	Spec Change Available	Mar-06-13
1.3	Spec Change	Jun-06-13
1.4	Spec Change	Jul-18-13

\* Extra charge is required for back covers with bracket holes for products purchased before end of Nov. 08'